

Diode Module

1600V / 100A

■ Features

- Compact Package
- P.C. Board Mount Module
- Converter Diode Bridge

■ Applications

- Inverter for Motor Drive
- AC and DC Servo Drive Amplifier
- Uninterruptible Power Supply

■ Maximum ratings and characteristics

● Absolute maximum ratings (Tc=25°C unless without specified)

Item	Symbol	Condition	Rating	Unit
Repetitive peak reverse voltage	V _{RRM}		1600	V
Non-repetitive peak reverse voltage	V _{RSM}		1760	V
Average output current	I _o	50Hz/60Hz sine wave Tc=94°C	100	A
One cycle surge current	I _{FSM}	From rated load	1000	A
I ² t	I ² t	From rated load	4000	A ² s
Operation junction temperature	T _j		-40 to +125	°C
Storage junction temperature	T _{stg}		-40 to +125	°C
Isolation voltage	V _{iso}	AC : 1 minute	3000	V
Mounting screw torque		M5 screw	2.0 to 2.5	N·m

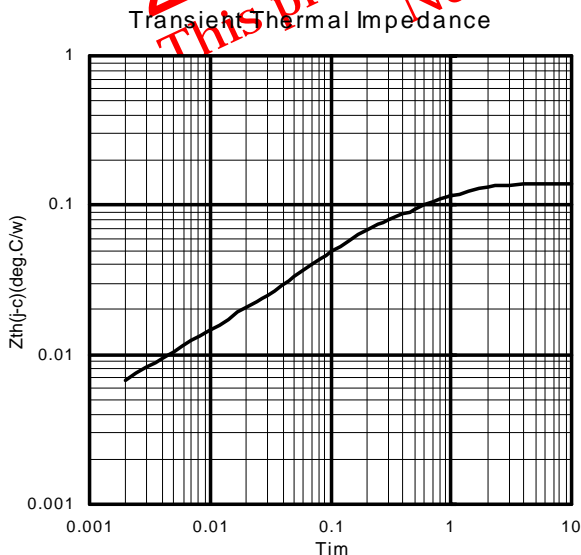
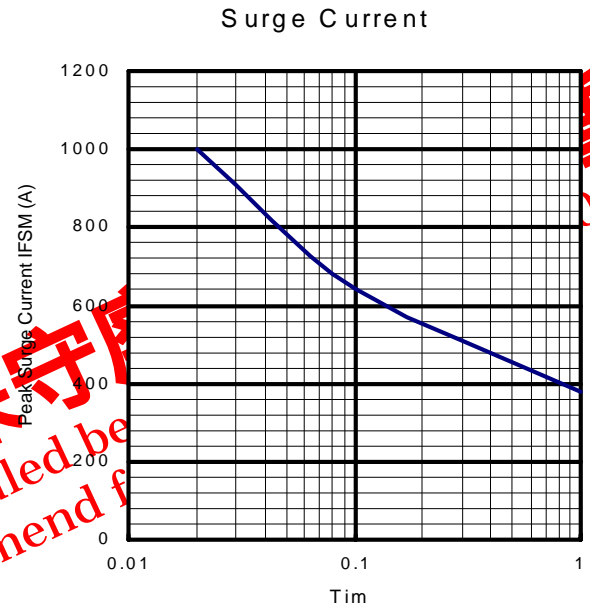
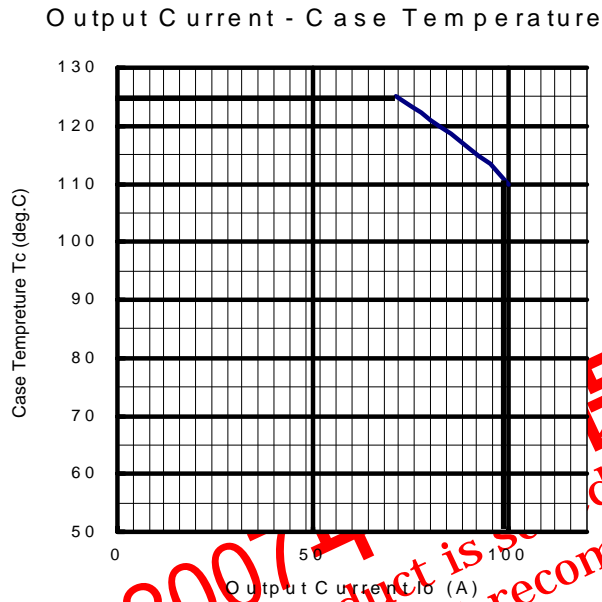
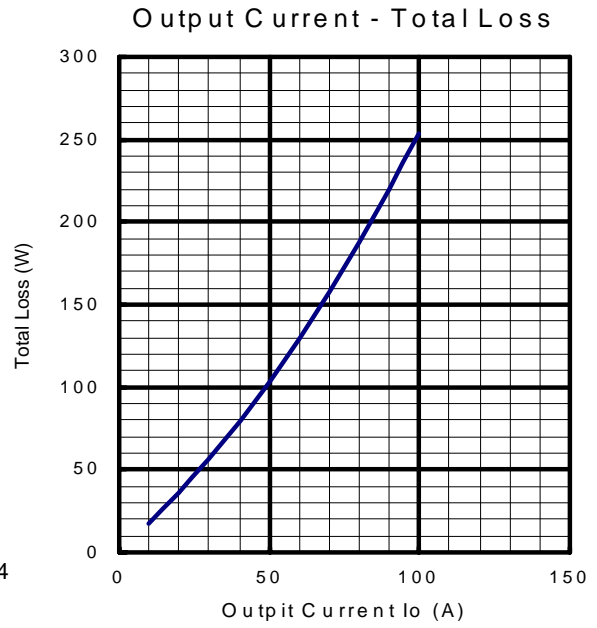
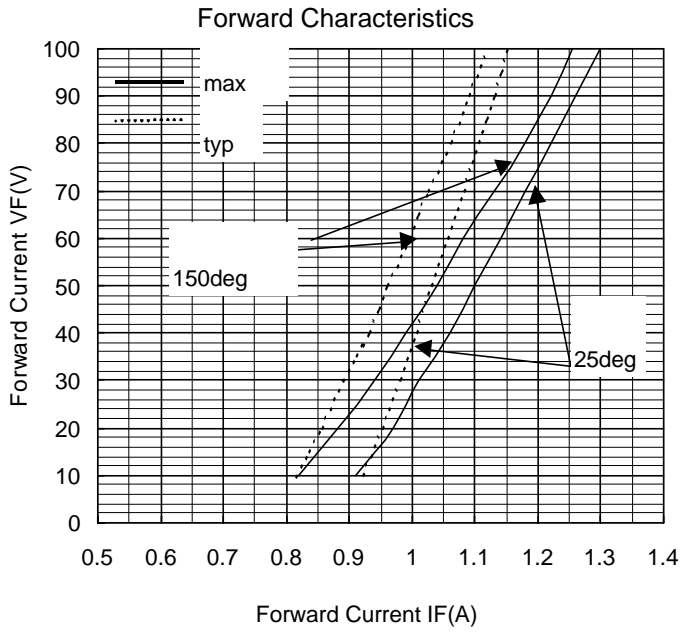
● Electrical characteristics (Tj=25°C unless otherwise specified)

Item	Symbol	Condition	Min.	Typ.	Max.	Unit
Forward voltage	V _{FM}	Tj=25°C, I _{FM} =100A			1.30	V
Reverse current	I _{RRM}	Tj=150°C, V _R =V _{RRM}			20	mA

● Thermal characteristics

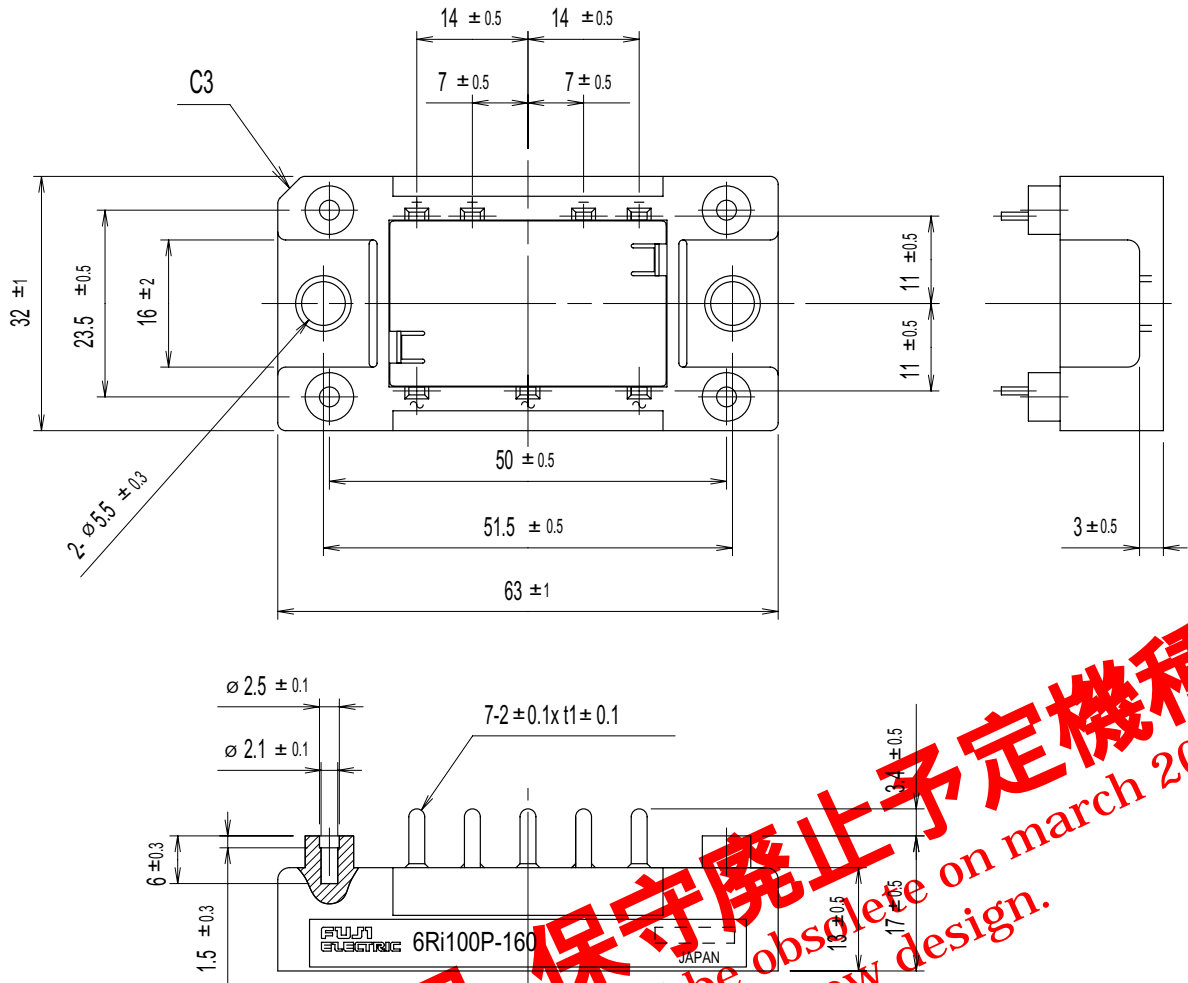
Item	Symbol	Condition	Min.	Typ.	Max.	Unit
Thermal resistance	R _{th(j-c)}	Per total loss			0.14	°C/W
		Per each device			0.84	
Thermal Resistance(Case to fine)	R _{th(c-f)}	with thermal compound			0.08	°C/W

2007年3月 保守廃止予定機種
 This product is scheduled to be obsolete on march 2007.
 Not recommend for new design.

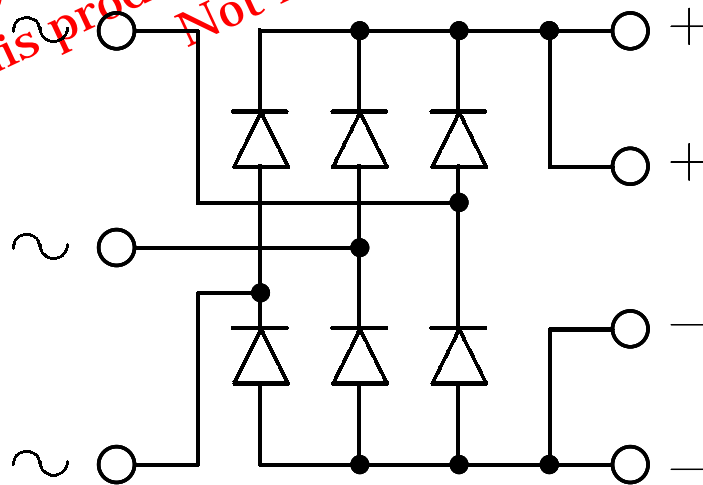


2007年 保守 2007. 此产品是 2007. 不推荐 2007.

■ Outline Drawings, mm



■ Equivalent Circuit Schematic



2007年3月 保守廃止予定機種
This product is scheduled to be obsolete on march 2007.
Not recommend for new design.